

Delta™ Series Owner's Manual



All rights reserved. Under the copyright laws, this manual may not be copied, in whole or in part, without the written consent of Garmin. Garmin reserves the right to change or improve its products and to make changes in the content of this manual without obligation to notify any person or organization of such changes or improvements. Go to www.garmin.com for current updates and supplemental information concerning the use of this product.

Garmin® and the Garmin logo are trademarks of Garmin Ltd. or its subsidiaries, registered in the USA and other countries. Delta™ is a trademark of Garmin Ltd. or its subsidiaries. These trademarks may not be used without the express permission of Garmin.

Table of Contents

Getting Started	1
Setting Up the Delta System	1
Device Overviews	1
Delta Handheld Device	1
LCD Display	1
Delta Dog Collar Device	1
Attaching the Dog Collar Device to the Collar Strap	1
Charging the Handheld Device	1
Charging the Dog Collar Device	2
Turning On the Devices	2
Turning Off the Devices	2
Dog Collar Devices	2
Pairing a Dog Collar Device with the Handheld Device	2
Selecting a Dog Collar Device	2
Dog Training	2
Fitting the Collar on Your Dog	2
Training Intensities and Methods	3
Training Modes	3
Selecting a Training Mode	3
Choosing the Correct Intensity Level	3
Changing the Intensity Level	3
Basic Training Commands	3
Training to Heel	4
Training to Sit and Stay	4
Training to Come Here	4
Collar Training	4
Bark Correction Mode	5
Enabling Bark Correction Mode	5
Device Information	5
Delta Handheld Device Specifications	5
Delta Dog Collar Device Specifications	5
Checking the Battery Charge Level of the Dog Collar Device ...	5
Delta Battery Replacement Instructions	5
Delta Handheld Device Components	5
Replacing the Delta Handheld Device Battery	5
Delta Dog Collar Device Components	6
Replacing the Delta Dog Collar Device Battery Assembly	6
Getting More Information	6
Registering Your Device	6

Getting Started

⚠ WARNING

See the *Important Safety and Product Information* guide in the product box for product warnings and other important information.

Setting Up the Delta System

Before you can use the Delta system, you must set up the devices.

- 1 Attach the dog collar device to the collar strap (page 1).
- 2 Charge the handheld device (page 1).
- 3 Charge the dog collar device (page 2).
- 4 Turn on the devices (page 2).
- 5 If necessary, pair the dog collar device with the handheld device (page 2).

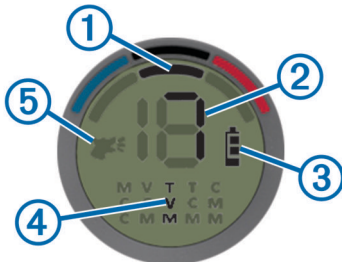
Device Overviews

Delta Handheld Device



①	Power key
②	Intensity level selection keys
③	Training keys
④	Dog collar device selection key
⑤	Training mode selection key
⑥	LCD display

LCD Display



①	Selected dog collar device
②	Stimulation intensity level
③	Battery charge level
④	Selected training mode
⑤	Bark correction mode (Delta Sport only)

Delta Dog Collar Device



①	Power key
②	Status LED
③	Contact points
④	Charging clip contacts

Attaching the Dog Collar Device to the Collar Strap

- 1 With the buckle ① facing outward, insert the end of the collar strap through the slot ② on the collar device.



- 2 Pull approximately two-thirds of the collar strap through the slot.
- 3 Insert the end of the collar strap through the slot ③ on the opposite side of the device.
- 4 Pull the strap until it is tight across the front of the device.

Charging the Handheld Device

NOTICE

To prevent corrosion, thoroughly dry the mini-USB port, the weather cap, and the surrounding area before charging or connecting to a computer.

You should fully charge the battery before you use the device for the first time. Charging a fully depleted battery takes about 2 hours.

NOTE: The device will not charge when it is outside the temperature range of 32° to 104°F (0° to 40°C).

- 1 Lift the weather cap ①.



- 2 Plug the small end of the power cable into the mini-USB port ② on the device.

- 3 Plug the other end of the power cable into an appropriate power source.

Charging the Dog Collar Device

NOTICE

To prevent corrosion, thoroughly dry the contacts on the collar and the surrounding area before connecting the charging clip.

Before you put the collar on the dog, remove the charging clip. If you do not remove the clip, it may become detached from the collar and become lost.



You should fully charge the battery before you use the device for the first time. Charging a fully depleted battery takes about two hours. The device will not charge when outside the temperature range of 32° to 104°F (0° to 40°C).

- 1 Snap the charging clip ① onto the device.





- 2 Plug the small end of the power cable into the mini-USB port ② on the charging clip.
- 3 Plug the other end of the power cable into a power source. The status LED is solid red when the collar is charging.
- 4 After the status LED turns solid green, remove the charging clip from the collar.

Turning On the Devices


- On the handheld device, hold  until the LCD display turns on.
- On the dog collar device, hold  until the status LED flashes and the collar beeps twice.

Turning Off the Devices

- On the handheld device, hold  until the LCD display turns off.
- On the collar, hold  until the status LED flashes and the collar beeps once.

Dog Collar Devices



You can use up to three dog collar devices with a single handheld device. You can select a different training mode and intensity level for each dog collar device.

Each dog collar device must be paired with the handheld device before it can be used. During the pairing process, each dog collar device is associated with a color on the handheld device.  indicates the selected color.

Pairing a Dog Collar Device with the Handheld Device

NOTE: If your handheld device and dog collar device were included in the same package, the devices are paired from the factory using the black color selection.

- 1 Turn on the dog collar device and the handheld device.

- 2 On the handheld device, select  to choose the color.  indicates the selected color.
- 3 On the handheld device, select an intensity level greater than 0 (page 3).
- 4 On the dog collar device, hold the power key for about two seconds. The device beeps once when you press the button and again after two seconds.
- 5 After the second beep, on the handheld device, select a training key.

The dog collar device turns off and beeps to indicate whether the devices paired successfully.

Short beep	Devices paired successfully
Long beep	Devices did not pair

TIP: If the devices did not pair successfully, you should verify the batteries in both devices are fully charged and the intensity level is set higher than 0.

Selecting a Dog Collar Device

Before you can select and control a dog collar device, you must pair the dog collar device with the handheld device (page 2).

Select  to choose the color.

 indicates the selected color.

The training keys control the dog collar device associated with the selected color.

Dog Training

You should research and investigate the training methods best suited for you, your dog, and your needs. This manual provides some basic guidelines for training, but each dog has unique training needs.

When used properly, the Delta training system is a very effective training tool to aid your dog in reaching its full potential. The use of the training system should be part of an overall training program.

Begin training your dog on a leash, without the Delta training system. You should train your dog how to heel, sit, and come to you. After the dog understands these three basic commands, you can begin training with the dog collar device and the leash. Finally, when the dog consistently obeys commands using the leash and collar, you may be able to remove the leash to train with only the dog collar device.

Fitting the Collar on Your Dog

CAUTION

To prevent irritation from the contact points, remove the collar for at least eight hours out of every 24-hour period.

This device is not intended for human use. Do not attempt to use on any person.

NOTICE

Before you put the collar on the dog, remove the charging clip. If you do not remove the clip, it may become detached from the collar and become lost.

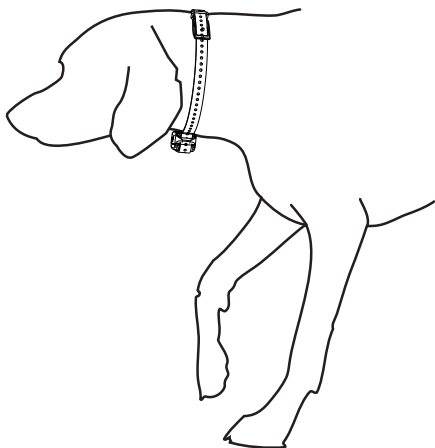
In order to properly correct the dog, the collar and device must fit the dog properly. If the collar is too loose or positioned incorrectly, corrections may be inconsistent. This can delay or prevent successful training.

- 1 Place the collar around the middle of the dog's neck.
- 2 Position the device at the front of the dog's neck, with the status LED facing toward the dog's chin and the contact points against the throat.

TIP: For bark correction, the device contact points should be positioned near the dog's vocal cords. This location varies based on the breed of dog. If the device does not seem to detect the dog's barks, you should move the device closer to or farther from the dog's body to find the ideal location.

- 3 Tighten the strap so that it is very snug around the dog's neck, and fasten the buckle.

NOTE: The collar should fit tightly and should not be able to rotate or slide on the dog's neck. The dog must be able to swallow food and water normally. You should observe your dog's behavior to verify that the collar is not too tight.



- 4 Wiggle the device to work the contact points through the dog's coat.

NOTE: The contact points must have contact with the dog's skin to be effective.

- 5 If the strap is too long, cut off the excess, leaving at least 3 in. (8 cm) to spare.

TIP: You can mark the hole used to fasten the buckle for future reference.

Training Intensities and Methods

The Delta system uses momentary (**M**) and continuous (**C**) stimulation. Momentary stimulation applies a brief stimulation when you press the training key, regardless of how long the key is depressed. Continuous stimulation applies stimulation to the dog the entire time you press the training key, for a maximum of 8 seconds. Your stimulations should typically be much shorter than 8 seconds.

The Delta system provides 18 stimulation intensity levels, which increase sequentially from 1 to 18.

You can also train using a tone (**T**) or vibration (**V**). When a key is set for tone, the key press activates an audible tone instead of stimulation. A tone can be used as either a positive or negative training cue, depending on your training program. When a key is set for vibration, the key press activates a short vibration instead of stimulation. The effectiveness vibration may vary based on the dog's temperament and experience.

Training Modes

The Delta system provides several training modes, which assign different combinations of momentary stimulation, continuous stimulation, tone, and vibration to the training keys (page 3). The three vertical letters on the LCD display correspond to the training key functions, from top to bottom. Training keys that activate a stimulation are designated as high or low.

Mode	Top Key	Middle Key	Bottom Key	Description
TVM	Tone	Vibration	Momentary (low)	Beginning trainer, sensitive dog, or minor corrections
VCM	Vibration	Continuous (high)	Momentary (high)	All-around training
TCM	Tone	Continuous (high)	Momentary (high)	All-around training
CMM (Delta Sport only)	Continuous (high)	Momentary (high)	Momentary (low)	Advanced training, popular for bird-dog training
MCC (Delta Sport only)	Momentary (high)	Continuous (high)	Continuous (low)	Advanced training, popular for obedience training

Selecting a Training Mode

You can select a different training mode for each dog collar device.

- 1 Select a dog collar device (page 2).
- 2 Select **:** to toggle through the available training modes.

Choosing the Correct Intensity Level

- 1 Set the intensity to the lowest level (page 3).
- 2 Press a training key.
- 3 Observe the dog for a reaction, such as a head shake, neck movement, or just a change in expression.

Sometimes dogs will vocalize due to the surprise of the electrical stimulation. If the dog vocalizes more than once, the intensity level is too high for beginning training.

- 4 If there is no reaction, increase the intensity level by one level until the dog has a slight but recognizable reaction to the stimulation.

The intensity level that causes a slight but recognizable reaction is your dog's baseline level for beginning collar training. You do not need to, and should not, apply this intensity selection test again.

After you begin training, the dog's performance guides your intensity selection. As the dog advances in training, you may need to change the level depending upon the training situation.

Changing the Intensity Level

You can select a different intensity level for each dog collar device.

- 1 Select a dog collar device (page 2).
- 2 Select **▲** or **▼** to increase or decrease the intensity level. The numerical intensity level appears on the LCD display.

Basic Training Commands

You should begin training your dog with a few basic commands without using the Delta training system to correct the dog. You should train the three basic commands in the following order: "heel," "sit," and "here."

During initial training, you should put the dog collar device on the dog, but the device should be turned off. This allows the dog to get used to the device before you start using it to correct the dog. This also helps to prevent "collar-wise" behavior (page 4).

Initially, you should keep the training sessions short and only train one command during a session. This way, the dog is less likely to become confused and training should progress more quickly. Pay close attention while training the dog, so you can begin to learn when to go faster or slower, and when to take a break.

With plenty of repetition, consistency, patience, and a lot of praise, the dog should begin to obey these commands after

several lessons. Each dog learns at a different rate, and some dogs may take longer to learn these commands. After the dog demonstrates a basic understanding of these commands while on a leash, training with collar stimulations can be introduced, while keeping the dog on the leash.

Training to Heel

Before you begin training, put a leash on the dog, and select an area with minimal distractions.

The first command that you will teach the dog is the "heel" command.

- 1 With the dog at your side on a leash, command the dog to "heel," and begin walking forward while gently pulling on the leash.
- 2 If the dog gets in front of you, repeat the command "heel," and move in another direction or pull back on the leash.
- 3 If the dog starts to lag behind you, lightly tug on the leash to bring the dog back to your side.

Reward the dog with praise when the dog obeys the command.

Training to Sit and Stay

Before you begin training, put a leash on the dog, and select an area with minimal distractions. Before you train to sit and stay, you should first train to heel.

The actual command is "sit," and the "stay" command is implied. When you command the dog to sit, the dog should stay until you indicate otherwise.

- 1 Begin training this command walking the dog on a leash in the heel position.
- 2 Stop walking, pull up on the leash, and command the dog to "sit."
- 3 Maintain steady pressure on the leash until the dog obeys the command.
- 4 If the dog does not obey and seems confused, gently push down on the dog's back above the flank, to make the dog sit.

Reward the dog with praise when the dog sits and stays.

Training to Come Here

Before you begin training, put a leash on the dog, and select an area with minimal distractions. Before you begin training the dog to come "here," you should first train the dog to "heel" and "sit." Also, you may need to use a long leash to effectively train "here."

Teaching your dog to come here is the most important command. The "here" command allows you to maintain control of your dog and can be used to call your dog away from a potentially dangerous situation. This command must be taught properly.

- 1 With the dog in a sitting position, move away to the end of the leash.
- 2 Command the dog to come "here" while gently tugging on the leash.
- 3 Reward the dog with praise as soon as the dog begins to move toward you.
- 4 If the dog begins to veer away, gently tug on the leash, and repeat the command to come "here."

The dog might resist this command. With repetition and patience, the dog will learn to obey the command.

Collar Training

Begin training your dog on a leash, without using the Delta training system. After the dog shows a grasp of the commands "heel," "sit," and "here," you can begin training with the collar and the leash.

During the initial stage of collar introduction, the dog learns that collar stimulation means the same thing as a tug on the leash. At first, the dog may be alarmed by the electronic stimulation.

The key is to be patient and consistent and not to start off at too high of an intensity. Be fair and consistent, and use repetition and praise when using the collar as a training tool.

If the dog does not respond to the stimulation level you have selected (page 3), increase the stimulation one level at a time until you achieve the appropriate response. After you achieve the desired response, you can lower the stimulation level as long as the dog maintains consistency.

As the dog becomes more proficient with the commands, you can begin to introduce distractions, such as rolling a ball in front of the dog or walking him in the presence of others.

After the dog begins to respond consistently to the command during collar training, you can remove the leash and train with just the collar.

NOTE: You should train without a leash only when it is appropriate for your environment and your dog's temperament. You should follow all laws and regulations for your area regarding the use of dog leashes.

Eventually in most training situations, your commands will not require stimulation to be given with the command. You should only use stimulation when you need to repeat a command because the dog did not obey the first one.

As the dog becomes better trained, you can decrease the use of collar training. Continue to have the dog wear the collar until you feel certain that it is no longer needed to reinforce known commands. Abandoning the collar too early can lead to problems in the future.

Preventing Collar-Wise Behavior

If the Delta training system is not used properly as part of your overall training program, the dog may exhibit "collar-wise" behavior. This occurs when the dog obeys commands while wearing the dog collar device, but does not obey commands when the device is removed. You should follow these tips to prevent this behavior.

- Begin training the dog without using the Delta training system to correct the dog (page 3).
- Turn off the dog collar device and put it on the dog during initial training.
This allows the dog to get used to the device before you start using it to correct the dog.
- Turn off the dog collar device and put it on the dog outside of your training sessions.
This allows the dog to get used to the device and helps to prevent the dog from associating the presence of the device with training or obedience.
- Reward the dog with praise whenever the dog obeys a command.

Training the Dog to Heel and Sit with the Collar

Before you begin training your dog using the collar, your dog must show a grasp of the "heel," "sit," and "come" commands while on the leash, you must put on the collar (page 2), and you must find the correct intensity level (page 3).

When beginning collar training, start with the "heel" and "sit" commands.

- 1 With the dog at your side on a leash, pull up on the leash, and command the dog to "sit."
- 2 If the dog does not sit immediately, press a training key briefly, and repeat the command to "sit."
- 3 Reward the dog with praise when the dog obeys the command.

After the dog begins obeying the "sit" command without collar stimulation, you should move on to the "heel" command.

- With the dog at your side on a leash and with the collar on, command "heel" and begin walking forward while gently pulling on the leash.
- If the dog not heel, press a training key briefly, repeat the command to "heel", and move in another direction or pull back on the leash.
- Reward the dog with praise when the dog obeys the command.

Training the Dog to Come Here with the Collar

Before you begin training your dog to come "here" using the collar, your dog must have a strong grasp of the "heel" and "sit" commands using the collar, you must put on the collar (page 2), and you must find the correct intensity level (page 3). Also, you may need to use a long leash to effectively train "here."

- With the dog in a sitting position, move away to the end of the leash.
- Command the dog to come "here."
- If the dog does not move immediately toward you, press a training key briefly, gently tug on the leash, and repeat the command to come "here."
- Reward the dog with praise as soon as the dog begins to move toward you.
- If the dog begins to veer away, press a training key briefly, and repeat the command to come "here."

Bark Correction Mode

NOTE: This feature is available only on the Delta Sport model.

When you enable bark correction mode, the handheld device automatically activates a stimulation when the dog collar device detects a bark. The system starts at the lowest intensity level and increases the intensity level automatically based on the dog's barking behavior. After bark correction mode is enabled, it may take up to one minute for the system to increase to an intensity level that discourages the dog from barking.


Enabling Bark Correction Mode

NOTE: This feature is available only on the Delta Sport model.

When bark correction mode is enabled, the device corrects the dog's barks automatically, and you cannot use the training keys to correct the dog.

Select  until  appears on the LCD display.

The status LED on the dog collar device flashes three times when the device enters bark correction mode.

TIP: Occasionally, the dog collar device may not enter bark correction mode. With  selected on the LCD display, you can select any training key to force the device to enter bark correction mode.

Device Information

Delta Handheld Device Specifications

Battery type	Rechargeable, replaceable lithium-ion
Battery life	60 hours typical use
Operating temperature range	From 32° to 158°F (from 0° to 70°C)
Charging temperature range	From 32° to 104°F (from 0° to 40°C)
Storage temperature range	From -4° to 122°F (from -20° to 50°C)
Water resistance	IEC 60529 IPX7
Wireless range (Delta)	0.5 mi. (0.8 km)
Wireless range (Delta Sport - outside North America)	0.5 mi. (0.8 km)
Wireless range (Delta Sport - North America)	0.75 mi. (1.2 km)

Delta Dog Collar Device Specifications

Battery type	Rechargeable, replaceable lithium-ion
Battery life	60 hours typical use
Operating temperature range	From 32° to 158°F (from 0° to 70°C)
Charging temperature range	From 32° to 104°F (from 0° to 40°C)
Storage temperature range (up to 1 month)	From -4° to 122°F (from -20° to 50°C)
Storage temperature range (up to 3 months)	From -4° to 104°F (from -20° to 40°C)
Storage temperature range (up to 1 year)	From -4° to 68°F (from -20° to 20°C)
Water resistance	IEC 60529 IPX7

Checking the Battery Charge Level of the Dog Collar Device

Turn on the dog collar device.

The status LED flashes every few seconds while the device is on. The color of the status LED indicates the battery charge level.

Green	The battery has a good charge.
Yellow	The battery has less than a 50% charge.
Red	The battery should be charged soon.
Flashing Red	The battery should be charged immediately. Training features are disabled.

Delta Battery Replacement Instructions

⚠ WARNING

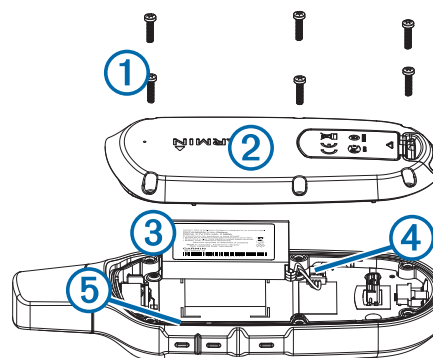
This product contains a lithium-ion battery. To prevent the possibility of personal injury or product damage caused by battery exposure to extreme heat, store the device out of direct sunlight.

Do not use a sharp object to remove batteries.

⚠ CAUTION

Contact your local waste disposal department to properly recycle the batteries.

Delta Handheld Device Components



①	Security screws
②	Back plate
③	Battery
④	Battery connector
⑤	Gasket

Replacing the Delta Handheld Device Battery

Before you replace the battery, you must remove all dirt, water, and debris from the device. You also need the security screwdriver included with the new battery.

You can purchase a replacement battery at <http://buy.garmin.com>. You should use only an official Garmin® replacement part.

- 1 Remove the six security screws from the back of the device.
- 2 Lift up the back plate.
- 3 Grip the battery connector wires close to the connector, and pull the connector parallel to the circuit board to disconnect the battery connector from the device.
- 4 Remove the old battery from the back plate, noting the orientation of the battery.

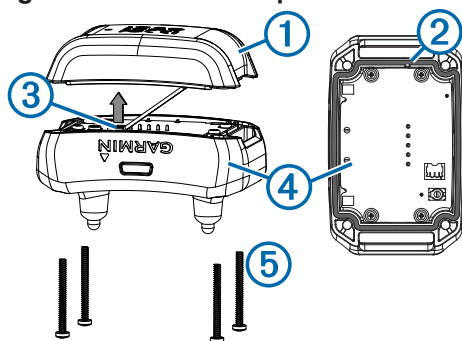
The battery fits tightly. It may be necessary to pry the battery out of the back plate using a non-sharp, non-metal object.

- 5 Install the new battery into the back plate with the label side up, using the same orientation as the old battery.
- 6 With the new battery, connect the battery connector to the device.

When properly installed, the connector plug snaps into the port.

- 7 Verify the gasket is not damaged and is completely seated in the groove.
- 8 Hold the back plate and the device firmly together, and replace all six security screws without tightening.
- 9 Verify the back plate and the device are aligned with no gaps.
- 10 Tighten the screws evenly.

Delta Dog Collar Device Components



①	Battery assembly
②	Gasket
③	Battery connector
④	Device
⑤	Security screws

Replacing the Delta Dog Collar Device Battery Assembly

Before you replace the battery, you must remove all dirt, water, and debris from the device. You also need the security screwdriver included with the new battery.

You can purchase a replacement battery assembly at <http://buy.garmin.com>. You should use only a certified Garmin replacement part. The battery assembly includes a pre-assembled back plate with a gasket, battery, and battery connector.

- 1 Remove the four security screws from the corners of the device.
- 2 Lift up the battery assembly.
- 3 Grip the battery connector wires close to the connector, and pull the connector outward from the circuit board to disconnect the battery connector from the device.
- 4 With the new battery assembly, connect the battery connector to the device.

When properly installed, the connector plug snaps into the port and the top face of the connector plug is flush with the edges of the port.

- 5 Verify the gasket is not damaged and is completely seated in the groove.
- 6 Hold the battery assembly and the device firmly together, and replace all four security screws without tightening.
- 7 Verify the battery assembly and the device are aligned with no gaps.
- 8 Tighten the screws evenly.

Getting More Information

You can find more information about this product on the Garmin website.

- Go to www.garmin.com/outdoor.
- Go to www.garmin.com/learningcenter.
- Go to <http://buy.garmin.com>, or contact your Garmin dealer for information about optional accessories and replacement parts.

Registering Your Device

Help us better support you by completing our online registration today.

- Go to <http://my.garmin.com>.
- Keep the original sales receipt, or a photocopy, in a safe place.

www.garmin.com/support



913-397-8200
1-800-800-1020



0808 238 0000
+44 870 850 1242



1-866-429-9296



+43 (0) 820 220 230



+32 2 672 52 54



+45 4810 5050



+358 9 6937 9758



+ 331 55 69 33 99



+49 (0)180 6 427646



+ 39 02 36 699699



0800 - 023 3937
035 - 539 3727



+ 47 815 69 555



00800 4412 454
+44 2380 662 915



+ 35 1214 447 460



+ 34 93 275 44 97



+ 46 7744 52020

Garmin International, Inc.

1200 East 151st Street
Olathe, Kansas 66062, USA

Garmin (Europe) Ltd.

Liberty House, Hounslow Business Park
Southampton, Hampshire, SO40 9LR UK

Garmin Corporation

No. 68, Zhangshu 2nd Road, Xizhi Dist.
New Taipei City, 221, Taiwan (R.O.C.)

