

# FROM THE BUILDERS OF THE WORLD'S FINEST E-COLLARS

OWNER'S MANUAL



**Dogtra Company**

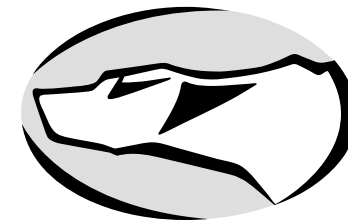
1250 E. 223rd Street, Suite 119  
Carson, CA 90745

Tel : (310) 522 - 1800

Fax : (310) 522 - 1805

Web Site : [www.dogtra.com](http://www.dogtra.com)

Toll Free: 1-888-811-9111



***dogtra e-Fence System***

- OVERVIEW..... 4
- MAIN FEATURES ..... 5
- SAFETY FEATURES ..... 5
- PACKAGE CONTENTS ..... 6
- DESCRIPTION OF TRANSMITTER PARTS ..... 7
- DESCRIPTION OF COLLAR PARTS ..... 16
- CHARGING THE RECEIVER/COLLAR ..... 23
- TESTING YOUR **dogtra e-Fence System** PRIOR TO INSTALLATION ..... 25
- INSTALLATION ..... 27
- TROUBLESHOOTING ..... 39
- MAINTENANCE ..... 41
- OPTIONAL ACCESSORIES ..... 42
- WARRANTY AND REPAIR ..... 44

## OVERVIEW

The ***dogtra e-Fence System*** gives you the ability to allow your dog the freedom he wants, within your specified boundaries. The invisible fencing system contains your dog without the use of conventional fencing that can be chewed through, jumped over or dug under.

The width of the signal field and the strength of the electrical stimulation can be easily adjusted at the wall-mount transmitter. In the “Stimulation Only” mode, your dog will only receive the stimulation. In the “Pager+Stimulation” mode, your dog will receive a silent pager/vibration, followed by stimulation when he approaches the boundary area. Once your dog consistently avoids the signal boundary, the stainless steel contact points can be replaced with the plastic training probes. With the plastic training probes, your dog will be able to respond to the vibration warning without receiving any electrical stimulation.

Accessories for the Dogtra e-Fence system such as additional wire, flags, lightning/surge protector, European 220-volt battery charger, and the 24-hour multi-contact pad are available by calling Dogtra Company at 888-811-9111 (PDT).

## MAIN FEATURES

- Waterproof collar/receiver
- Pager/vibration signal that warns the dog prior to electrical stimulation/correction
- Wire continuity indicator shows the fence is operational
- Adjustable intensity for a variety of dog personalities
- Rechargeable receiver
- Long-range signal(will work up to 40 acres)
- User-friendly controls

## SAFETY FEATURES

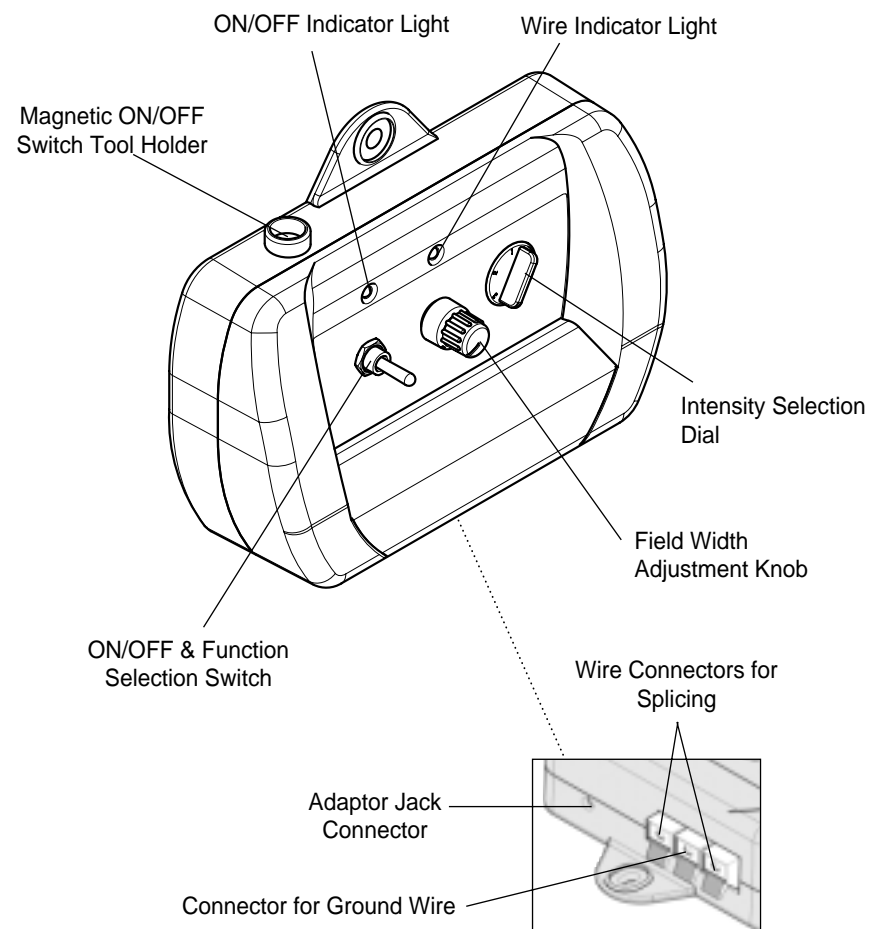
- Dogtra’s e-Fence system collars use state-of-the-art microcomputer technology. The receiver has an automatic control that limits the stimulus to eight seconds.
- Dogtra’s filtering system prevents reception from outside sources other than your transmitter.

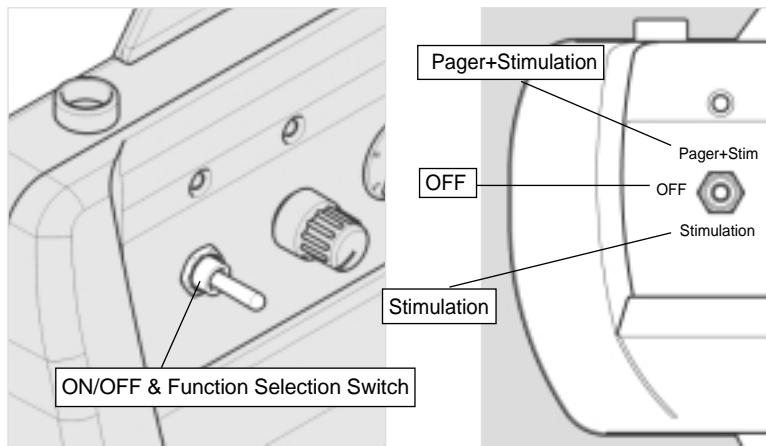
## PACKAGE CONTENTS

- Wall-Mount Transmitter
- Collar/Receiver
- Magnetic ON/OFF Switch Tool
- Transmitter Adaptor (25-volt 500mA)
- Receiver Adaptor (12-volt 300mA)
- Test Lamp
- Boundary Training Flags (50 ea)
- 18 ga Underground Fence Wire (500 feet)
- Splices (4 ea)
- Ground Wire(green)
- Transmitter Mount Screws (2 ea)
- Plastic Anchors(2 ea)
- Plastic Training Probes
- Longer Contact Points(2 ea)
- Owner' s Manual
- Training Book

## DESCRIPTION OF TRANSMITTER PARTS

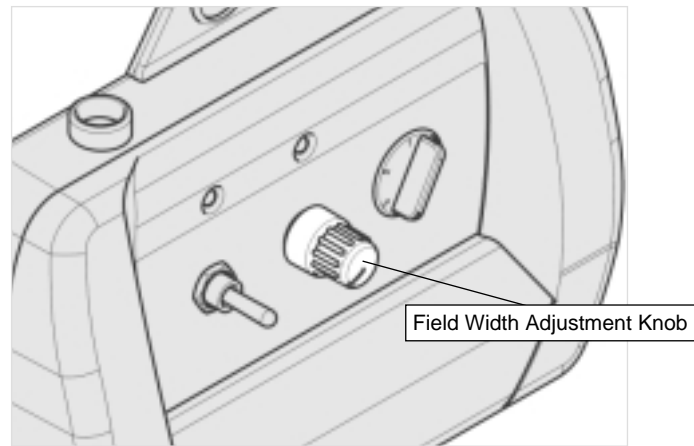
### *dogtra e-Fence* transmitter





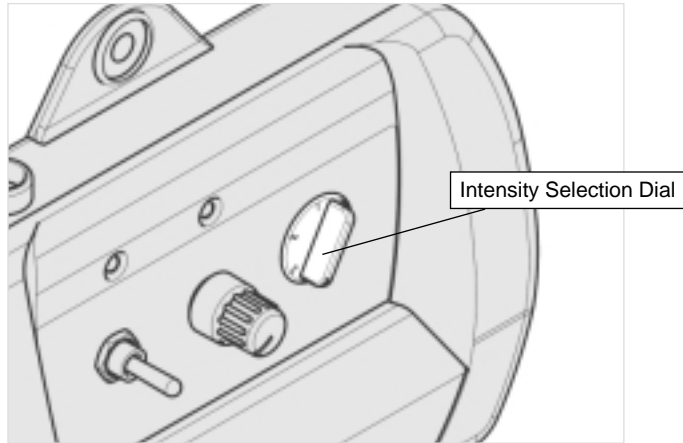
**ON/OFF & Function Selection Switch**

The ON/OFF Selection switch has three functions. When the toggle switch is in the up position, the unit will give the dog a pager/vibration followed by stimulation correction. When the toggle switch is in the down position, only stimulation occurs (without the pager warning). When the switch is in the middle position, the power is off.



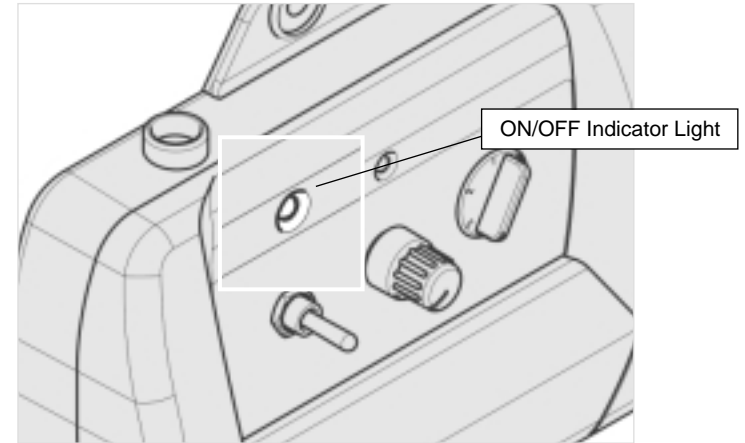
**Field Width Adjustment Knob**

This knob controls the width of the signal field (the distance from the boundary wire to the location where the collar/receiver first activates). Turning the knob clockwise increases the field width, giving your dog a wider area before the activation begins. Turning it counter-clockwise decreases the signal field, thus giving the dog a shorter area prior to activation.



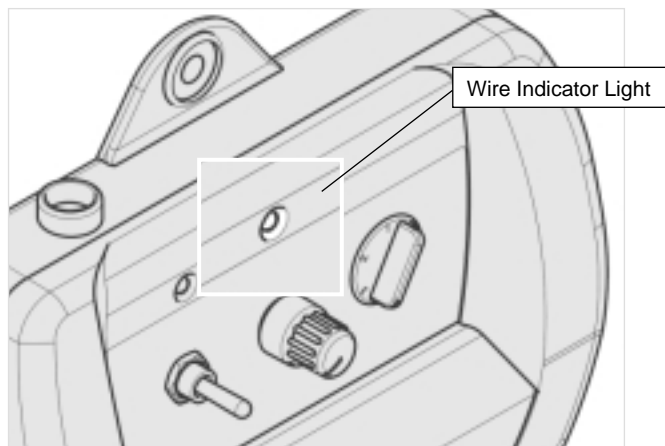
### **Intensity Selection Dial**

The Intensity Selection Dial controls the stimulation level. Level 1 is the lowest setting and level 5 is the highest. It is always best to start at level 1 and increase one level at a time until you find a level where the dog reacts to the stimulation but does not overreact with excessive vocalization.



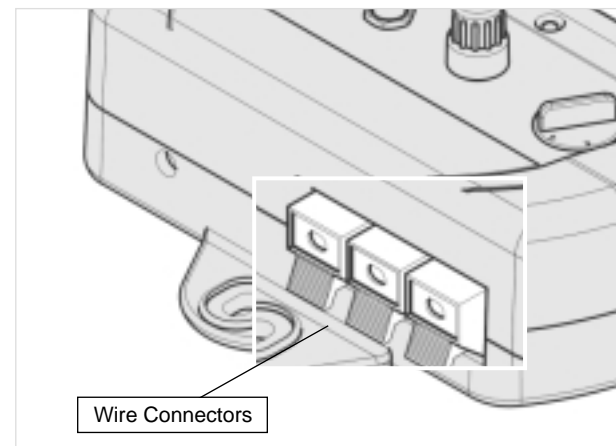
### **ON/OFF Indicator Light**

When the ON/OFF & Function Selection switch is either in the up or down position, the LED light will be on, indicating that the power is on. When the switch is in the middle position, the light goes off, indicating that the power is off.



### Wire Indicator Light

When the wires are connected properly, the wire indicator light will be on. In the event the e-Fence wire becomes damaged, the light will automatically turn off.

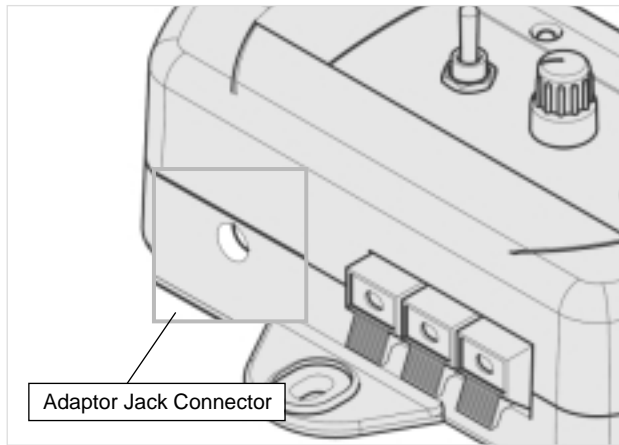


### Wire Connectors For Splicing

The easy-to-use push-release wire connectors let you instantly connect or disconnect the boundary wire leads. Wires should be stripped approximately a half-inch before being inserted into the red connectors on the bottom of the wall mount transmitter.

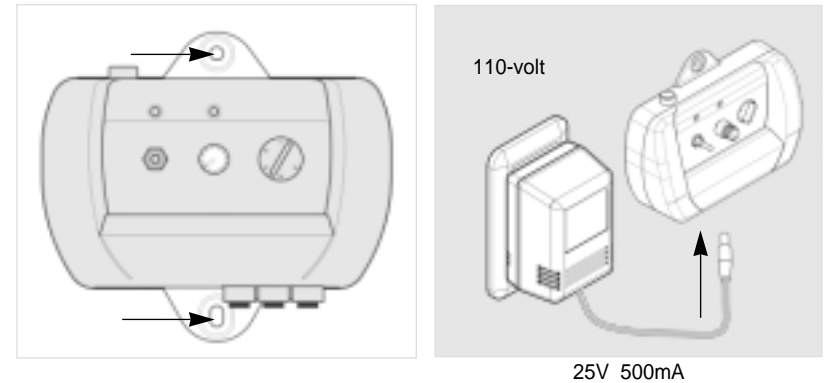
**dogtrà e-Fence** comes with a ground wire to protect the unit in the event of lightning/power surge. Strip about a half-inch on each end of the ground wire and insert one end into the black connector on the bottom of the wall transmitter. The other end should be buried into the ground or wrapped around a water pipe and secured with electrical tape.

**Option :** A lightning/surge protector can be purchased if there are no grounding options near the wall transmitter.



**Adaptor Jack Connector**

Plug the 110-volt adaptor into a 110-volt wall outlet and insert the adaptor plug into the adaptor jack connector of the transmitter.



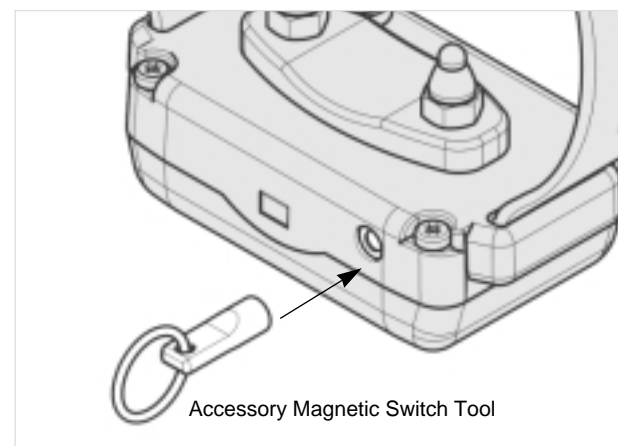
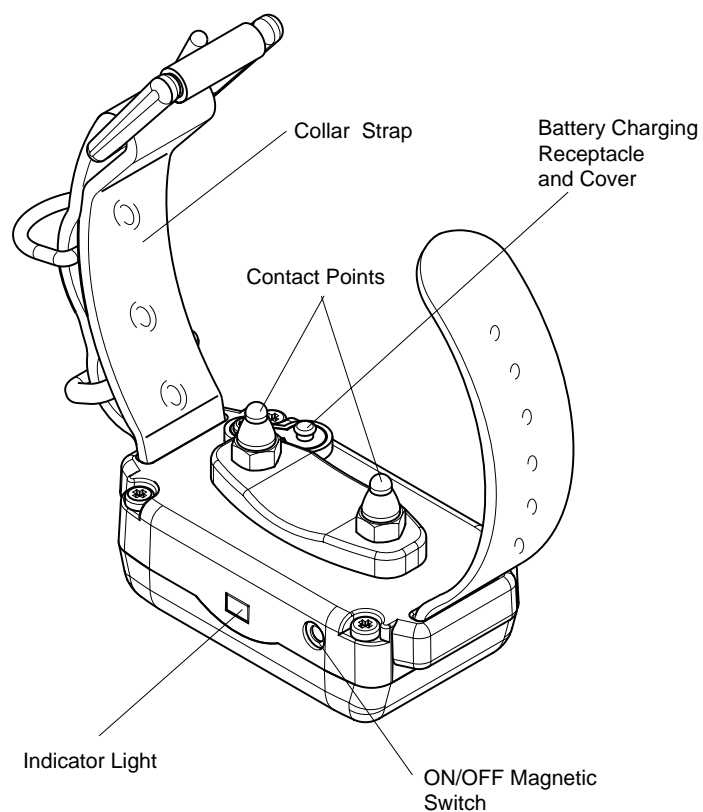
**Wall-Mount Transmitter**

Use the (2) included screws to mount the transmitter to a wall, securely, near any standard 110-volt household outlet. The unit will withstand freezing temperatures, but it is not waterproof. Therefore, we recommend mounting the transmitter in a safe, dry sheltered area such as a shed, garage or carport. Plastic anchors have been provided to secure mounting onto drywall. Use a 1/4" drill bit to make holes into the drywall. Insert the anchors into the holes so that the open end faces out and mount the transmitter by inserting the screws into the open end of the anchors.

To power the wall transmitter, plug the AC adaptor into the standard 110-volt outlet and connect it to the adaptor jack connector of the transmitter.

## DESCRIPTION OF COLLAR PARTS

### *dogtrå e-Fence* Receiver



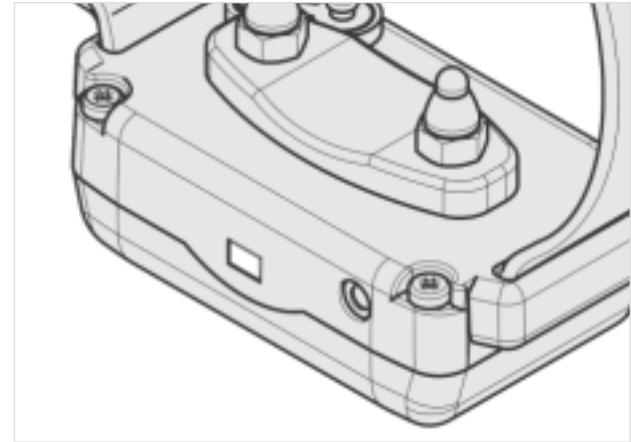
### ON/OFF Magnetic Switch

To activate the *dogtrå e-Fence*, place the accessory magnetic switch tool (which can be conveniently placed in a holder on the top of wall mount transmitter) to the red dot on the collar/receiver. Hold them together for a moment until the LED indicator light starts flashing on the receiver. The indicator light will blink once every two seconds showing that the unit is activated and ready to use. (If the red indicator light emits a double blink every two seconds, the batteries need to be charged on the receiver/collar.) A 14-hour charge is recommended to fully charge the receiver/collar.

To deactivate the **dogtra e-Fence System** place the accessory magnetic switch tool to the red dot on the collar/receiver.

The LED light will stop blinking indicating that the unit is now off.

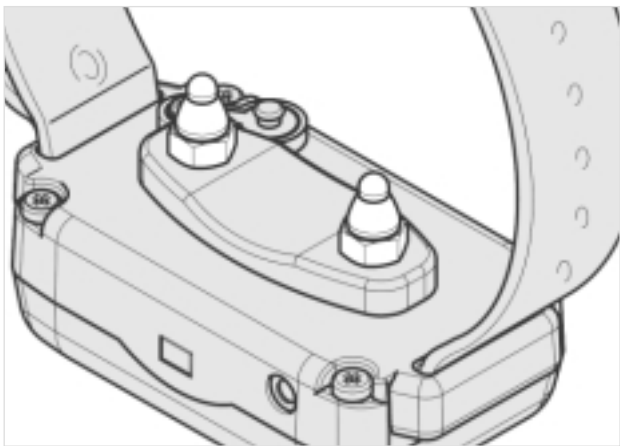
**To attain maximum battery life, deactivate the unit when not in use.**



### **Receiver Indicator Light (LED)**

Located on the front of the collar/receiver, is the (LED) indicator light. When the unit is fully charged, the LED light will blink once every two seconds after the collar is turned on. The blinking will change from a single flash to a double flash when the collar needs to be recharged.

The indicator light will come on when the dog reaches the edge of the signal field in the yard, showing the dog has activated the unit.



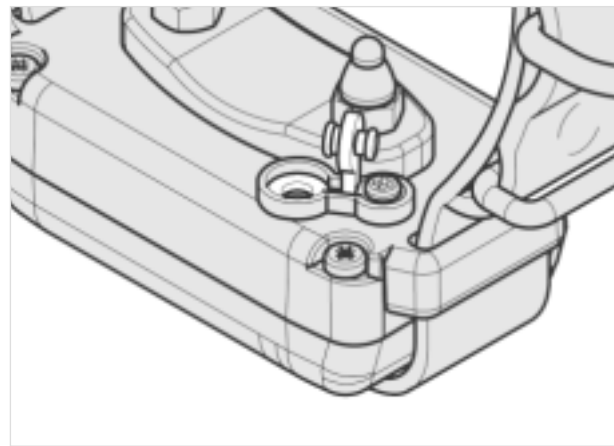
### Collar Fit / Contact Points

The collar should be fitted so that the stainless steel contact points press firmly against the dog's skin. A loose fit can allow the collar to move around on the dog's neck and cause irritation to the skin. If the collar is too loose, electrical contact will be inconsistent and your corrections will be inconsistent as well.

**We recommend not keeping the e-Fence collar on your dog for more than 8 hours at any given time.**

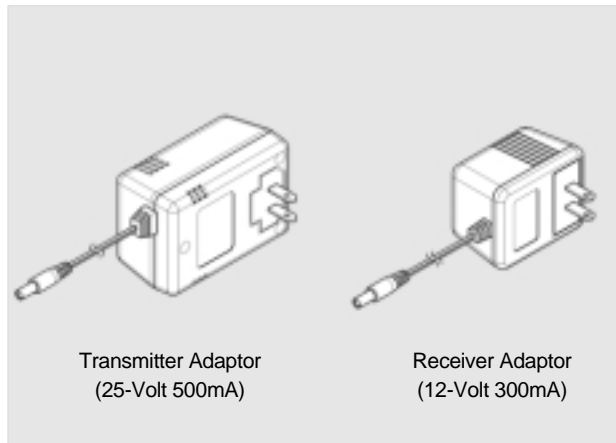
### Option:

**dogtra** also offers an optional 24-hour multi-contact pad that allows for continuous wear of the receiver/collar. To purchase the 24-hour contact pad call Dogtra Company at 888-811-9111(PDT).



### Collar/Receiver Battery Charging Receptacle

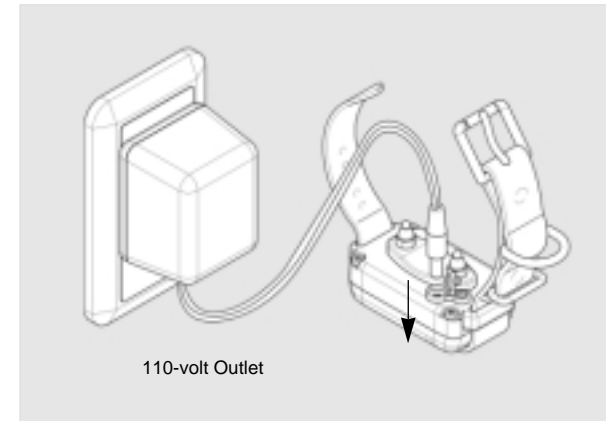
On the inside of the collar/receiver, next to the collar strap, is the battery-charging receptacle with a rubber cover plug. The plug should always be in place when the unit is on the dog to prevent debris from getting in.



### Adaptor

The battery charger is designed for a 110-volt wall outlet. (An European 220-volt AC charger is also available.)

## CHARGING THE RECEIVER/COLLAR



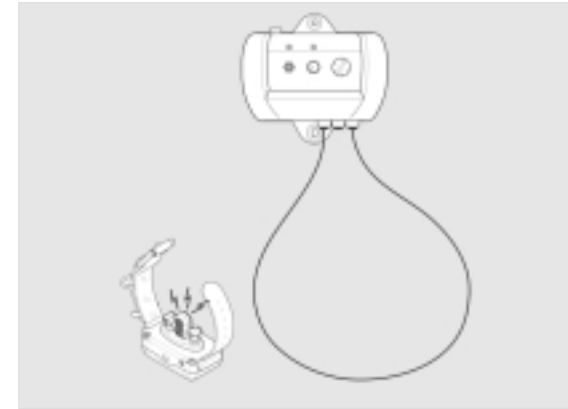
### Charging The Receiver/Collar

**dogtra** uses Ni-MH (Nickel-Metal Hydride) batteries that do not have a memory. They can be charged on a regular basis without harm. There is no need to completely drain the batteries between charges.

1. Plug the 110-volt adaptor into a 110-volt wall outlet and insert the adaptor plug into the battery-charging receptacle of the receiver.
2. Charge the batteries for 14 hours before using the collar for the first time and any other subsequent charges.

3. Do not charge the batteries near any flammable substances.
4. Fully charge the batteries for 14 hours if the collar is to be stored without use for a period of a month or more.
5. Recharge the battery if:
  - the indicator light on the collar is emitting a double blink every two seconds
  - the indicator light on the receiver will not come on
  - the indicator light on the receiver comes on momentarily but will not stay on

## TESTING YOUR *dogtra* e-Fence System PRIOR TO INSTALLATION



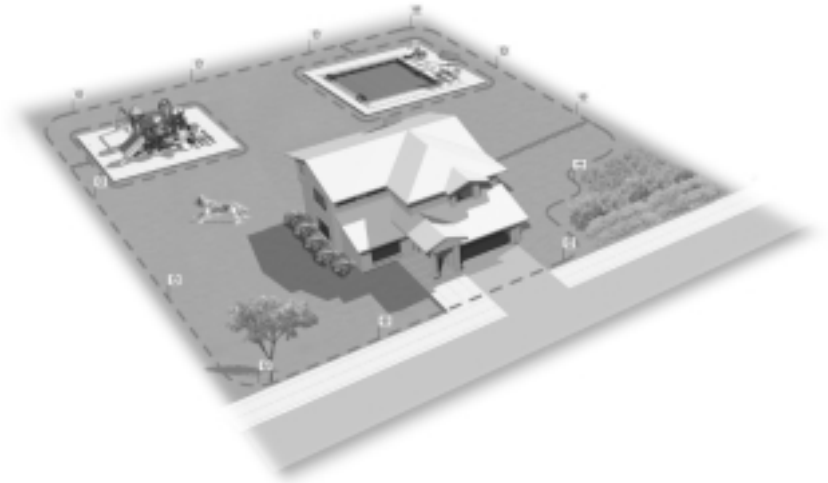
1. To ensure that your ***dogtra* e-Fence System** is working properly, connect the transmitter adaptor into the jack connector of the transmitter and then plug the adaptor into a household outlet. The ON/OFF indicator light should be on.
2. Unwind the length of ground wire that was provided and strip about 1/2 inch off each end. Insert one end of the ground wire into the first wire connector jack and the other end into the third, leaving the center jack free. If the wires are connected properly, the wire indicator light will be on.

3. Next, activate the collar receiver with the magnetic switch tool by touching it to the red dot on the receiver. The LED light will blink once every two seconds showing that it is on.
4. Hold the receiver in your hand with the contact points facing up. Place the test lamp over the points and approach the test loop.
5. Watch for the test light to come on and/or the unit will emit the warning vibration if the unit is in this mode at the wall mount transmitter. Be careful not to touch the contact points as the unit will emit stimulation when activated.

## INSTALLATION

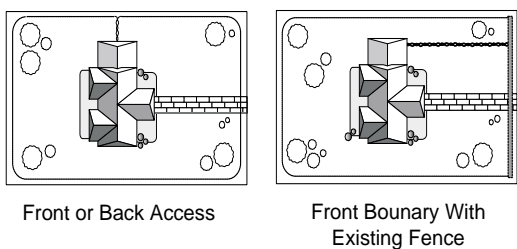
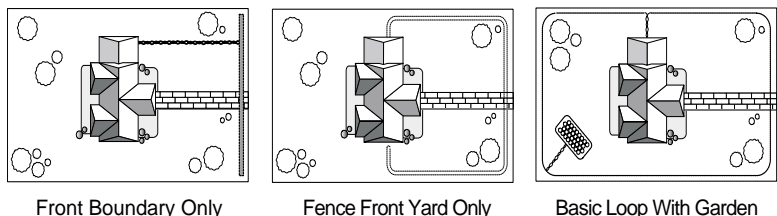
### Fence Wire

The fence wire must make a continuous loop around your property for your system to operate. The signal is delivered from the terminal of the transmitter, through the fence wire, back to the other terminal on the transmitter. When this is accomplished, the wire continuity light will emit a constant red indicator.



**Wire Placement**

CAUTION - Before you install your fence wire, contact the utility company to mark the utility lines on your property before you begin digging. Carefully choose the areas in which you want to contain your dog. A diagram may helpful in predicting unforeseen obstacles. (Please refer to the diagrams below.)

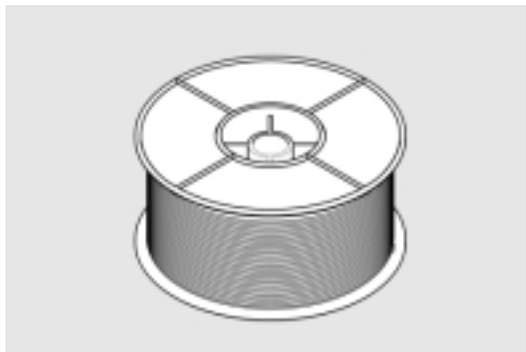


The **dogtra e-Fence System** includes 500 feet of boundary wire and 50 training flags. Additional flags and wiring can be purchased through the Dogtra Company. The estimated requirements are as follows:

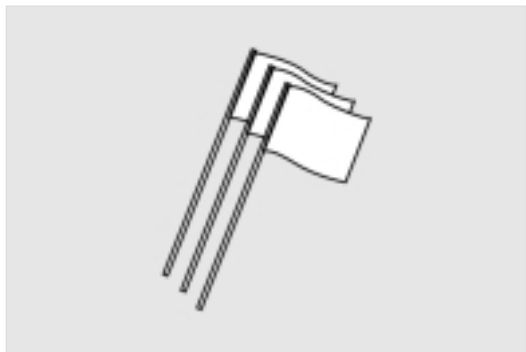
Acres	Square Feet	Fence Wire(500ft./spool)		Flags(50/bundle)	
		Feet	# Spools	# Flags	# Bundles
1/4	10,890	450	1	45	1
1/3	14,520	520	1	52	1
1/2	21,780	620	2	62	2
3/4	32,670	740	2	74	2
1	43,560	850	2	85	2
2	87,120	1,200	3	120	3
3	130,680	1,500	3	150	3
4	174,240	1,700	4	170	4
5	217,800	1,900	4	190	4
6	261,360	2,100	5	210	5
7	304,920	2,250	5	225	5
8	348,480	2,400	5	240	5
9	392,040	2,550	6	255	6
10	435,600	2,700	6	270	6
11	479,160	2,800	6	280	6
12	522,720	2,950	6	295	6
13	566,280	3,050	7	305	7
14	609,840	3,170	7	317	7
15	653,400	3,280	7	328	7
16	696,960	3,400	7	340	7
17	740,520	3,500	7	350	7
18	784,080	3,600	8	360	8
19	827,640	3,700	8	370	8
20	871,200	3,800	8	380	8

\* For areas larger than 20 acres, please refer to our web site at [www.dogtra.com](http://www.dogtra.com) or call us at 888-811-9111.

## ADDITIONAL PARTS



· 18 ga Underground Fence Wire (500 feet)



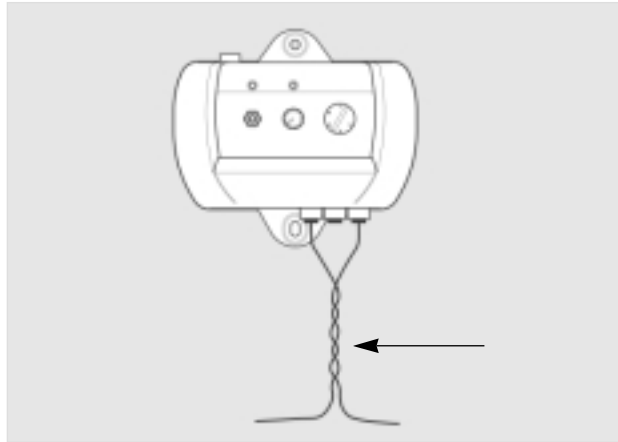
· Boundary Training Flags (50 ea)

The figures on p.29 are indicated for a rectangular layout. Actual flag/wire requirements may vary depending on the layout you've chosen.

You will want to keep a signal field (area where the dog will receive stimulation) of at least 6-8 feet on each side of the wire. In addition, your dog will keep 2-4 feet away from the signal field, so an overall signal field of 8-12 feet is preferred. Avoid making passageways that are too narrow (i.e. along the sides on a house) or your dog may hesitate from using them.

### Tools

To install your e-Fence, you will need a flat-edge spade, Phillips screwdriver and a wire cutter/stripper. If your layout calls for the wires to be connected across concrete, you will also need a caulking gun, exterior silicon caulk and a circular saw with a masonry blade for cutting the pavement.



### Creating A Neutral Zone In The Boundary

Depending on your layout, you may want a neutral zone where your dog can cross over the e-Fence without getting stimulation. Should your layout need such an area, start by twisting the two pieces of fence wire so they are braided (see diagram), from the beginning of the neutral zone area to the end. Braiding the two wires will interrupt the signal of the buried fence, thus creating an area for your dog to cross without getting stimulation.

To braid the fence wire, hold the two wires side by side, and twist them around each other. This can also be done by securing the two wire ends in the opening of a drill and letting the drill twist the wires for you. The tighter the wires are twisted, the better the signal cancellation. A braid of approximately 16 twists per foot is recommended.

### Burying The Fence Wire

**IMPORTANT** : Before starting any digging, contact your local phone, gas and power companies to locate any other buried services.

The e-Fence boundary wire does not have to be buried to operate. **For protective measures we highly recommend the wire be buried about 3-4 inches underground.** Begin by digging a 4-inch deep cut where the wire first enters the ground near the transmitter and continue around the path of the loop wire. A 30-to 45-degree angle cut made with a flat-edge spade will be easiest to close. Try to keep the 2 wires from touching as much as possible as this will enhance your signal.

**Note** : When covering a large area, a trenching machine may be used to cut into the ground. However, it is recommended that the wire be placed in the trench by hand. A commercial wire-placing machine may damage the wire.

**IMPORTANT!** Bury the fence wire after you have tested the system and are sure it is working properly. Do not nick or scrape the fence wire during installation as it may result in an intermittent signal or no signal.

Make gradual turns at the corners with a radius of at least 3 feet. This will provide a more consistent signal field that will avoid confusing the dog in these areas.

### IMPORTANT!

**DO NOT** run fence wire within 6 feet parallel to electrical, telephone, cable TV or other buried wire.

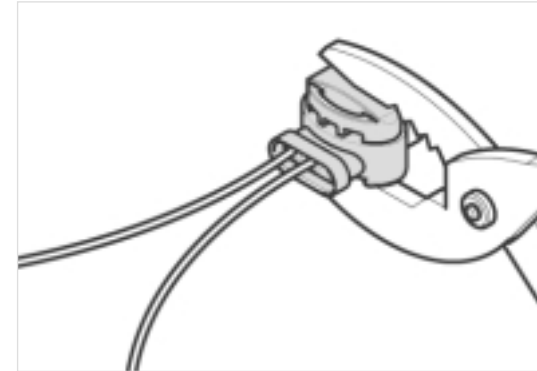
**DO NOT** run fence wire of one section within 10 feet of another section of fence wire or the signal may cancel.

**DO NOT** run fence wire within 10 feet of a neighboring e-Fence system's boundary wire.

### Driveways/Sidewalks

When crossing an asphalt driveway, make a 1/2-inch deep cut across the driveway using a circular saw and masonry blade. Close the crack with asphalt sealant after the fence wire is placed in it. If an expansion joint is available on driveway and sidewalks, place fence wire in the joint and close it with outdoor caulk. When crossing gravel, bury fence wire at least 3 inches deep. PVC pipes or a garden hose can be used to protect the wire. In water, anchor the wire with large rocks. Use PVC piping or garden hose to protect the wire.

## WIRE SPLICING



### The wire connection must be waterproof

Do not use electrical tape, or soldered/twisted wire nuts in this type of connection as it will cause an intermittent signal or disarm the system. The waterproof splices included in the **dogtra e-Fence System** are designed to provide a sealed connection between the wires. The insulation on the boundary wire should not be stripped before placing wire into the holes. To use the waterproof splices, a single boundary wire is placed into one of the three holes of the splices. The other single boundary wire is placed into one of the other holes. This should leave one extra hole that is not used. A pair of pliers should be used to gently press down on the top of the blue part of the splice.

### Connecting the Fence Wire to the Transmitter

Splice the two ends of the twisted wire to each of the two ends of the fence wire. Drill a hole through the exterior wall or window/door sill or run the fence wire through an existing utility line hole. Connect the twisted fence wire to the transmitter, either wire to either terminal (wire ends must be stripped 1/2 - inch). A red indicator light should appear indicating a continuous fence wire field. If no light appears, check to make sure that all fence wires are properly connected and that the wire is not damaged.

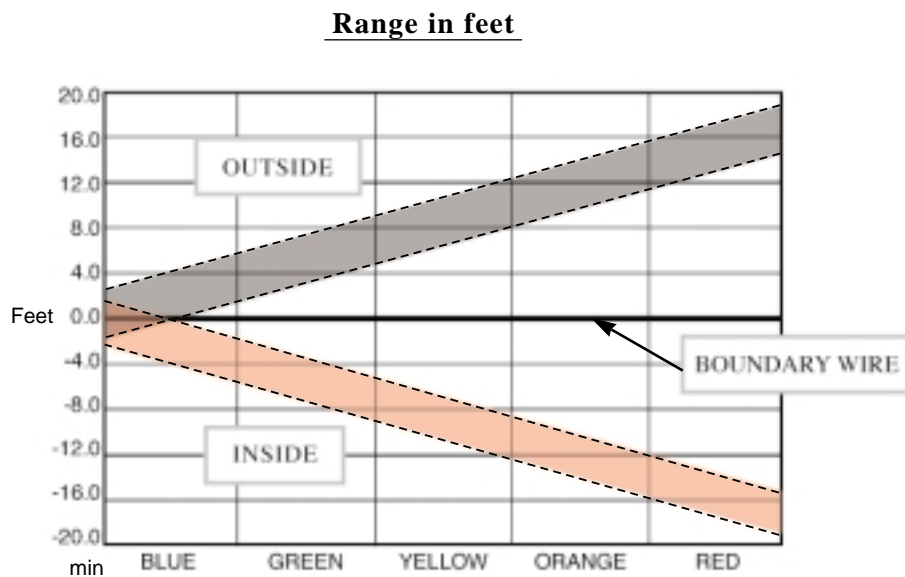
### The Signal Field

The Field Width Adjustment Knob on the transmitter controls the signal field width. Increasing or decreasing the signal field width does not affect the stimulation intensity.

To test the signal field, walk slowly toward the boundary wire holding the collar/receiver at approximately the height of the dog's neck. Contact points must be upward with the test light attached. Watch for the test lamp to illuminate, this will give you an idea of the width of the signal field. The wider the signal field is, the less chance that the dog will run through the field and out of your yard. The signal field should extend at least 6 feet on both sides of the wire (creating a field that is 12-feet wide total). An 8-12 foot field is preferred. This will maximize the effectiveness of the containment system and minimize the chances that the dog will run through the signal field.

**Note :** If you alter the field adjustment knob by turning it clockwise or counterclockwise, or by removing it, you must check the signal field for the desired setting.

When you are satisfied with the field width setting, bury the fence wire below the grass and place the flags at the distance where the test light comes on.



[ Field Width Adjustment Knob ]



## TROUBLESHOOTING

### A. Dog Doesn't Respond to Stimulus

- Adjust the collar fit.
- Trim the dog's hair or use longer contact points to make better skin contact.
- Recharge the battery in the collar receiver.
- Adjust the correction level.

### B. System Test Procedures:

Whenever you experience a malfunction, you will need to do a test loop to determine which component - collar, wall transmitter or yard wire - is not working. Follow these steps to perform the test loop procedure.

1. Make a test fence using at least 10 feet of fencing wire(or use the ground wire).
2. Remove the existing boundary wire from your wall transmitter.
3. Insert the two ends of the test fence wire into the wall transmitter.
4. Turn the field width adjustment knob to the 9 o'clock position or a low setting.

5. Place the test light on the collar receiver. With the collar receiver, approach the test loop and note the distance between you and the wire when the collar activates the test lamp.
6. Turn the field width adjustment knob to the 12 o' clock position or a medium setting.
7. Back away from the wire and approach it again. Determine the distance between you and the wire when the collar activates. The distance should be greater on the medium range setting.

If more than one collar receiver is used, repeat the above test on each collar.

If there is no red light on the wire indicator light of the wall transmitter with the test loop wire in place, the wall transmitter is malfunctioning.

If the red light is solid on the wall transmitter, but the collar does not activate on the test loop wire, the collar receiver is not working. Recharge the battery in the collar receiver and repeat the test.

### General Maintenance Tips

Your system requires very little maintenance. The collar receiver for **dogtra e-Fence System** is waterproof and activates even after being immersed in water. To remove dirt, simply wipe with soap and water.

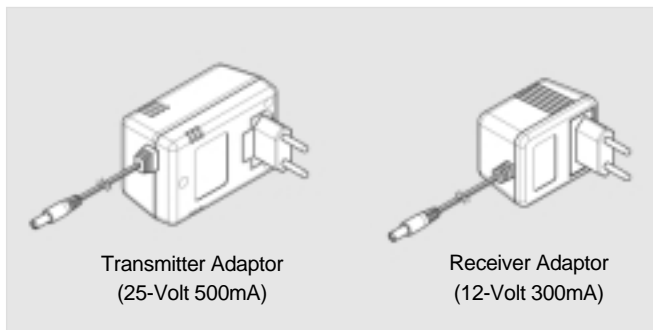
The wall transmitter is not waterproof and must be protected from the elements in a shed, garage or carport.

**Do not attempt to dismantle or repair any of the system components: this will void the manufacturer's warranty. These components contain computerized circuitry that should be serviced only by an authorized expert.**

### Caution

Any changes or modifications of this device which are not specifically approved by the party responsible for compliance could void the user's authority to operate the equipment.

## OPTIONAL ACCESSORIES



- European Adaptor for 220-volt outlets

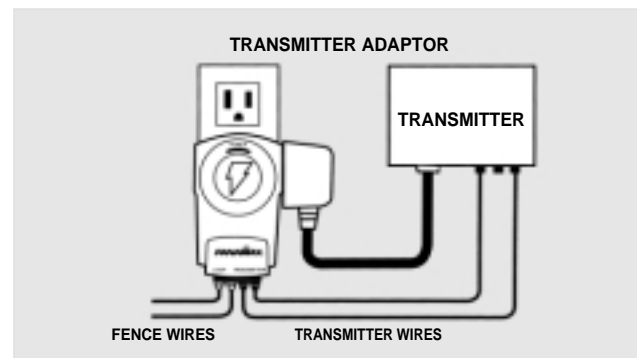


- 24-hour multi- contact pad(for prolonged usage)



- Lightning/Surge Protector (PANAMAX)

## Quick Connection Tips - See instructions for Complete Information



**STEP 1** Plug the lightning protector into a grounded (3-wire) 120V AC outlet within five feet of where you want to locate the transmitter



**STEP 2** Cut the fence wires near the protector and strip all four ends back 1/4 inch



**STEP 3** Push the connector tab firmly away from yourself. The connector jaws will open. Push the stripped end of the wire into the connector. Repeat with the other three wires.

## WARRANTY AND REPAIR INFORMATION

**Dogtra Company** provides the original purchaser a two-year limited warranty on parts and labor from the date of the original purchase. The warranty is void if the unit has been altered or unauthorized repair work has been attempted. Batteries or the labor to replace them are not covered after one year from the original purchase date. A copy of the sales receipt showing the purchase date is required before warranty work is started.

Dogtra's warranty does not cover repairs due to misuse or improper maintenance.

Return shipping for warranty work is the owner's responsibility. Costs for shipping (via regular ground service) back to the customer is covered by Dogtra Co. within the continental United States. Any expedited shipping service will be at the owner's expense.

### Repairs

If you have a unit that requires repair work, please send the transmitter, receiver and charger to:

**Dogtra Co.**  
**Repairs Dept.**  
**1250 E. 223rd St., Suite 119**  
**Carson, CA 90745**

\* Include a note with your name, return address, daytime contact number and a brief description of the problem. Or, visit our website at [www.dogtra.com](http://www.dogtra.com) and print out our **Service Request Form** to send with your unit.

For repair work covered under warranty, proof of purchase date is required by providing a copy of the original receipt or shipping invoice.

**For more information contact Dogtra at :**  
**1-888-811-9111 or e-mail us at**  
**info@dogtra.com**

Copyright©2003 **Dogtra Company** All Right Reserved  
1250 E. 223rd Street, Suite 119.  
Carson, CA 90745 USA  
TEL. (310)522-1800 FAX. (310)522-1805